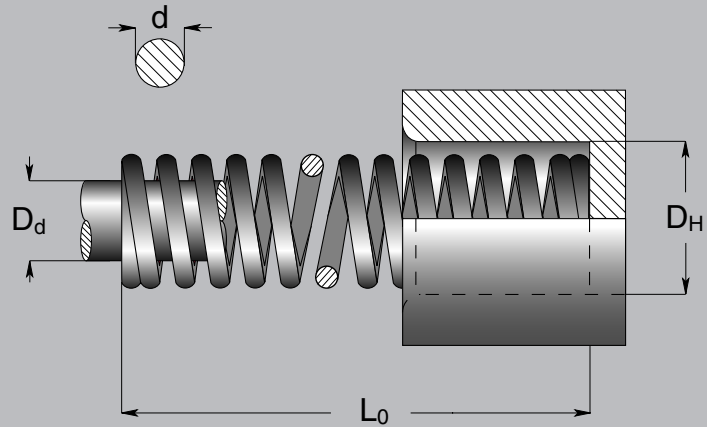
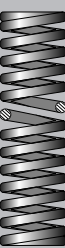


Serie  
Series  
Serie  
Série



D <sub>H</sub>	D <sub>d</sub>	L <sub>0</sub>	N. di catalogo Catalogue No. Bestellnummer N° de catalogue	Rigidità Rate Rigidez Raideur	16%		24%		32%	
					3.000.000		1.500.000		Max. Defl.	
mm	mm	mm		N / mm	mm	N	mm	N	mm	N
3	2	10	L 3 - 010	2.94	1.6	4.4	2.4	6.62	3.2	8.8
		15	L 3 - 015	1.96	2.4		4.8			
		20	L 3 - 020	0.98	3.2		6.4			
		25	L 3 - 025	0.98	4.0		8.0			
0.4										
4	2.6	10	L 4 - 010	4.9	1.6	7.8	2.4	11.8	3.2	15.7
		15	L 4 - 015	2.94	2.4		4.8			
		20	L 4 - 020	2.94	3.2		6.4			
		25	L 4 - 025	1.96	4.0		8.0			
		30	L 4 - 030	1.96	4.8		9.6			
0.6										
6	4	15	L 6 - 015	7.85	2.4	17.7	3.6	26.5	4.8	35.3
		20	L 6 - 020	5.88	3.2		6.4			
		25	L 6 - 025	4.90	4.0		8.0			
		30	L 6 - 030	3.92	4.8		9.6			
		35	L 6 - 035	2.94	5.6		11.2			
0.9										
8	5.4	15	L 8 - 015	12.75	2.4	31.4	3.6	47.1	4.8	62.8
		20	L 8 - 020	9.81	3.2		6.4			
		25	L 8 - 025	7.85	4.0		8.0			
		30	L 8 - 030	6.86	4.8		9.6			
		35	L 8 - 035	5.88	5.6		11.2			
		40	L 8 - 040	4.90	6.4		12.8			
1.2										
10	6.5	25	L 10 - 025	12.75	4.0	49.0	6.0	73.6	8.0	98
		30	L 10 - 030	9.81	4.8		9.6			
		35	L 10 - 035	8.83	5.6		11.2			
		40	L 10 - 040	7.85	6.4		12.8			
		45	L 10 - 045	6.86	7.2		14.4			
		50	L 10 - 050	5.88	8.0		16.0			
1.5										
12	8	25	L 12 - 025	17.65	4.0	70.6	6.0	105.9	8.0	141.2
		30	L 12 - 030	14.71	4.8		9.6			
		35	L 12 - 035	12.75	5.6		11.2			
		40	L 12 - 040	10.79	6.4		12.8			
		45	L 12 - 045	9.81	7.2		14.4			
		50	L 12 - 050	8.83	8.0		16.0			
		55	L 12 - 055	7.85	8.8		17.6			
		60	L 12 - 060	7.85	9.6		19.2			
1.8										



Note: 1 N = 0,102 Kg (force)



Filo tondo  
Round wire  
Rundem drahtquerschnitt  
Fil rond

D <sub>H</sub>	D <sub>d</sub>	L <sub>0</sub>	N. di catalogo Catalogue No. Bestellnummer N° de catalogue	Rigidità Rate Rigidez Raideur	16%		24%		32%	
					3.000.000		1.500.000		Max. Defl.	
					mm	N	mm	N	mm	N
14	9.3	25	L 14 - 025	24.52	4.0	96.1	6.0	144.2	8.0	192.2
		30	L 14 - 030	19.61	4.8		7.2		9.6	
		35	L 14 - 035	17.65	5.6		8.4		11.2	
		40	L 14 - 040	14.71	6.4		9.6		12.8	
		45	L 14 - 045	13.73	7.2		10.8		14.4	
		50	L 14 - 050	11.77	8.0		12.0		16.0	
		55	L 14 - 055	10.79	8.8		13.2		17.6	
		60	L 14 - 060	9.81	9.6		14.4		19.2	
		65	L 14 - 065	8.83	10.4		15.6		20.8	
		70	L 14 - 070	8.83	11.2		16.8		22.4	
2.2										
16	10.7	25	L 16 - 025	31.38	4.0	125.5	6.0	188.3	8.0	251.1
		30	L 16 - 030	26.48	4.8		7.2		9.6	
		35	L 16 - 035	22.56	5.6		8.4		11.2	
		40	L 16 - 040	19.61	6.4		9.6		12.8	
		45	L 16 - 045	17.65	7.2		10.8		14.4	
		50	L 16 - 050	15.69	8.0		12.0		16.0	
		55	L 16 - 055	14.71	8.8		13.2		17.6	
		60	L 16 - 060	12.75	9.6		14.4		19.2	
		65	L 16 - 065	11.77	10.4		15.6		20.8	
		70	L 16 - 070	10.79	11.2		16.8		22.4	
2.4										
18	12	25	L 18 - 025	40.21	4.0	158.9	6.0	238.3	8.0	317.7
		30	L 18 - 030	33.34	4.8		7.2		9.6	
		35	L 18 - 035	28.44	5.6		8.4		11.2	
		40	L 18 - 040	24.52	6.4		9.6		12.8	
		45	L 18 - 045	22.56	7.2		10.8		14.4	
		50	L 18 - 050	19.61	8.0		12.0		16.0	
		55	L 18 - 055	17.65	8.8		13.2		17.6	
		60	L 18 - 060	16.67	9.6		14.4		19.2	
		65	L 18 - 065	15.69	10.4		15.6		20.8	
		70	L 18 - 070	14.71	11.2		16.8		22.4	
2.8										
20	13.5	25	L 20 - 025	49.03	4.0	196.1	6.0	294.2	8.0	392.3
		30	L 20 - 030	41.19	4.8		7.2		9.6	
		35	L 20 - 035	35.30	5.6		8.4		11.2	
		40	L 20 - 040	30.40	6.4		9.6		12.8	
		45	L 20 - 045	27.46	7.2		10.8		14.4	
		50	L 20 - 050	24.52	8.0		12.0		16.0	
		55	L 20 - 055	22.56	8.8		13.2		17.6	
		60	L 20 - 060	20.59	9.6		14.4		19.2	
		65	L 20 - 065	18.63	10.4		15.6		20.8	
		70	L 20 - 070	17.65	11.2		16.8		22.4	
3										
22	14.7	25	L 22 - 025	59.82	4.0	237.3	6.0	356	8.0	474.6
		30	L 22 - 030	49.03	4.8		7.2		9.6	
		35	L 22 - 035	42.17	5.6		8.4		11.2	
		40	L 22 - 040	37.27	6.4		9.6		12.8	
		45	L 22 - 045	33.34	7.2		10.8		14.4	
		50	L 22 - 050	29.42	8.0		12.0		16.0	
		55	L 22 - 055	27.46	8.8		13.2		17.6	
		60	L 22 - 060	24.52	9.6		14.4		19.2	
		65	L 22 - 065	22.56	10.4		15.6		20.8	
		70	L 22 - 070	21.57	11.2		16.8		22.4	
3.4										

Note: 1 N = 0,102 Kg (force)

D <sub>H</sub>	D <sub>d</sub>	L <sub>0</sub>	N. di catalogo Catalogue No. Bestellnummer N° de catalogue	Rigidità Rate Rigidez Raideur	16%		24%		32%	
					3.000.000		1.500.000		Max. Defl.	
d				N / mm	mm	N	mm	N	mm	N
mm	mm	mm								
25	17	25	L 25 - 025	76.49	4.0	307	6.0	459.9	8.0	613.9
		30	L 25 - 030	63.74	4.8		7.2		9.6	
		35	L 25 - 035	54.92	5.6		8.4		11.2	
		40	L 25 - 040	48.05	6.4		9.6		12.8	
		45	L 25 - 045	42.17	7.2		10.8		14.4	
		50	L 25 - 050	38.25	8.0		12.0		16.0	
		55	L 25 - 055	35.30	8.8		13.2		17.6	
		60	L 25 - 060	32.36	9.6		14.4		19.2	
		65	L 25 - 065	29.42	10.4		15.6		20.8	
		70	L 25 - 070	27.46	11.2		16.8		22.4	
		75	L 25 - 075	25.50	12.0		18.0		24.0	
		80	L 25 - 080	23.54	12.8		19.2		25.6	
90	L 25 - 090	21.57	14.4	21.6	28.8					
100	L 25 - 100	19.61	16.0	24.0	32.0					
3.8										
30	20	50	L 30 - 050	51.94	8.0	414	12.0	621	16.0	828
		60	L 30 - 060	44.10	9.6		14.4		19.2	
		70	L 30 - 070	37.24	11.2		16.8		22.4	
		80	L 30 - 080	32.34	12.8		19.2		25.6	
		90	L 30 - 090	28.42	14.4		21.6		28.8	
		100	L 30 - 100	25.48	16.0		24.0		32.0	
		125	L 30 - 125	20.58	20.0		30.0		40.0	
4.5										

## Spezzoni con terminali aperti

Long size open ends

Meterware

Ressorts avec longueur ébauché

N. di catalogo Catalogue No. Bestellnummer N° de catalogue	D <sub>H</sub>	d	L <sub>0</sub>	passo pitch ganghohe pas
	mm	mm	mm	mm
L 03 - 300	3	2.0	300	1.04
L 04 - 300	4	2.6	300	1.50
L 06 - 300	6	4.0	300	2.00
L 08 - 300	8	5.4	300	2.80
L 10 - 300	10	6.5	300	3.50
L 12 - 300	12	8.0	300	4.30
L 14 - 300	14	9.3	300	4.80
L 16 - 300	16	10.7	300	5.50
L 18 - 300	18	12.0	300	5.30
L 20 - 300	20	13.5	300	6.80
L 22 - 300	22	14.7	300	6.70
L 25 - 300	25	17.0	300	8.20

Note: 1 N = 0,102 Kg (force)

