

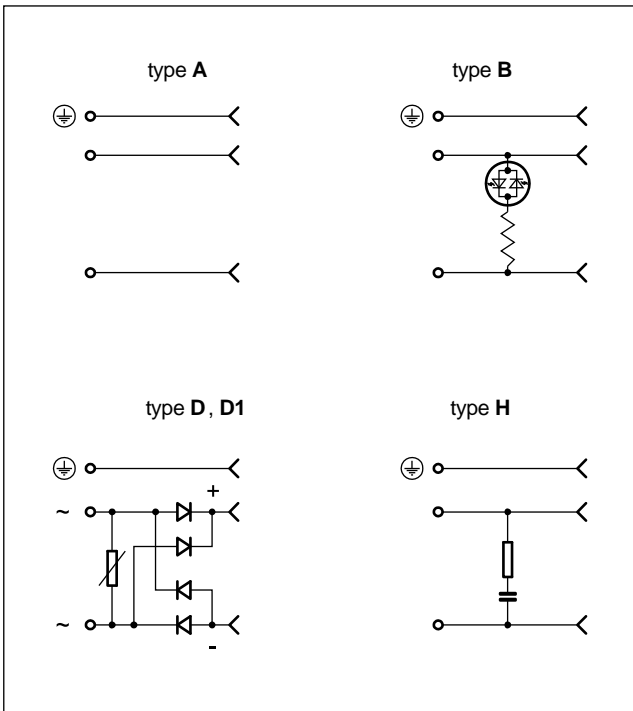


EC*
ELECTRIC CONNECTORS
SERIES 10

EN 175301-803
(ex DIN 43650 / ISO 4400)

type A

ELECTRICAL DIAGRAM



DESCRIPTION

- The EC* connectors are made according to EN 175301-803 standard, form “A” for socket mounting. They are for the electrical connection of solenoid valves.
- When correctly installed and coupled, they provide protection according to IEC EN 60529 standards, class of protection IP65/67.
- The class of insulation is in compliance with IEC 60664-1 2007 specifications, with operating voltage up to 250 V, overvoltage category II, operating degree 3.
- The wire terminal block is removable from the external housing for simplifying the wire connection to the clamps, and it allow the electrical contacts to be turned through 90° (except H and D1 versions) if required.
- Four different types with specific functions are available:
 - type **A**, connector two poles + ground
 - type **B***, with LED
(available voltages: 10 ÷ 50 V and 70 ÷ 250 V)
 - type **D** and **D1**, with bridge rectifier
 - type **H**, with RC damping circuit
- The A type is also available in gray colour, to differentiate the solenoids mounted on the side “a” or “b”.
- They are supplied with M3 fixing screw and NBR gasket.

TECHNICAL CHARACTERISTICS

		type A	type B*	type D / D1	type H
Voltage supply	V DC/AC	up to 230	10 ÷ 50 / 70 ÷ 250	up to 230	up to 230
Number of poles		2 + ground			
Current on connections: nominal maximum	A	10 16			
Contact resistance	mΩ	≤ 4			
Maximum conductor size	mm	1,5			
Cable exit		Pg9 / Pg11 unified			
Electromagnetic compatibility (EMC)		according to 2014/30/EU			
Low voltage		according to 2014/35/EU			
Protection degree		IP 65/67 - IEC 60529			
Insulation class		class C (IEC 60664-1:2007-04)			
Operating temperature	°C	-40 / +90			

1 - IDENTIFICATION CODE

E C / / 10	
Electric connector EN 175301-803 (ex DIN 43650 / ISO 4400)	Series No. (the overall and mounting dimensions remain unchanged from 10 to 19)
Connector type	Colour:
A = two poles + ground	Type A
B1 = two poles + ground with led which burns when the solenoid is energized power supply voltage 10 ÷ 50 V AC/DC	B = black (standard)
B2 = two poles + ground with led which burns when the solenoid is energized power supply voltage 70 ÷ 250 V AC/DC	A = grey
D = two poles + ground with Graetz bridge rectifier: for alternating current power supply source with direct current coils. Max current consumption 1 ampere.	Type B
D1 = two poles + ground with Graetz bridge rectifier: for alternating current power supply source with direct current coils. Max current consumption 3 ampere.	N = transparent
H = two poles + ground with RC damping circuit, to avoid voltage peaks as circuit opening, suitable for alternating and direct current coils.	Types D, H
	B = black

NOTE: It is not necessary to specify the supply voltage for connectors type A, D, D1 and H, as they are suitable for supply voltages up to 230 V.

2 - OVERALL AND MOUNTING DIMENSIONS

type A, B1, B2, D

type H and D1

dimensions in mm

remove this seal to obtain a PG11